

■ Replacement Parts List

Notes: *Important safety notice:

Components identified by Δ mark have special characteristics important for safety. Furthermore, special parts which have purposes of fire-retardant (resistors), high-quality sound (capacitors), low-noise (resistors), etc. are used. When replacing any of components, be sure to use only manufacturer's specified parts shown in the parts list. *The parenthesized indications in the Remarks columns specify the areas. (Refer to the cover page for area.) Parts without these indications can be used for all areas. *Remote Control Ass'y: Supply period for three years from termination of production. *The "(SF)" mark denotes the standard part.

Ref. No.	Part No.	Part Name & Description	Remarks	Ref. No.	Part No.	Part Name & Description	Remarks
		INTEGRATED CIRCUIT(S)					
IC301	M5218AP	I. C. HEADPHONES AMP.		D612, 613	MA165	DIODE	
IC351	M5218AP	I. C. SIGNAL LEVEL DET.		D614	1SS291TA	DIODE	
IC401	AN6558-FSG	I. C. MIC AMP.		D615-618	MA165	DIODE	
IC501	SVI3102D	I. C. POWER AMP.	Δ	D619, 620	MA4062MTA	DIODE	Δ
IC601	LC65204A4B79	I. C. FL DRIVE		D631, 632	MA165	DIODE	
IC602	BA4558DX	I. C. METER AMP.		D701-704	P300D5002T	DIODE	Δ
		TRANSISTOR(S)		D705, 706	1SR35200TB	DIODE	Δ
				D709, 710	MA185TA	DIODE	Δ
				D711	MA165	DIODE	
				D712	MA4240H	DIODE	
				D714	MA4062-H	DIODE	Δ
				D715, 716	MA4150M	DIODE	Δ
				D717	MA4051MTA	DIODE	Δ
				D750	MA4270HTA	DIODE	Δ
						VARIABLE RESISTOR(S)	
				VR401	EVJ02BF02B14	V. R. MIC VOLUME CONTROL	
				VR601	EVQWQAF2524B	V. R. MAIN VOLUME CONTROL	
						COIL(S)	
				L501, 502	SLQY07G-40	COIL	
				L601	ELEXT100KA9	COIL	
				L701	RLQ2271M	COIL	Δ (EG)
						OSCILLATOR(S)	
				X601	EF0EC4004T4	OSCILLATOR (4MHz)	
						DISPLAY	
				FL601	RSL0162-F	FL DISPLAY	
						FUSE(S)	
D351	MA165	DIODE		F1	XBA2C12TB0S	FUSE, 250V T1. 25A	Δ
D352	MA4068M	DIODE	Δ	F701, 702	XBA2C16TB0	FUSE, 250V T1. 6A	Δ
D361	MA4091-M	DIODE	Δ				
D362	MA165	DIODE				SWITCH(ES)	
D371	MA165	DIODE					
D401	MA4062MTA	DIODE		S601	EVQ21405R	SW. POWER	
D602	SLR-305VC	LED		S603	EVQ21405R	SW. RANGE	
D603	MA165	DIODE					
D610	MA165	DIODE				CONNECTOR(S)	
D611	1SS291TA	DIODE					

Notes : * Capacity values are in microfarads (μ F) unless specified otherwise, P=Pico-farads (pF) F=Farads (F)
* Resistance values are in ohms, unless specified otherwise, 1K=1,000(OHM) , 1M=1,000k(OHM)

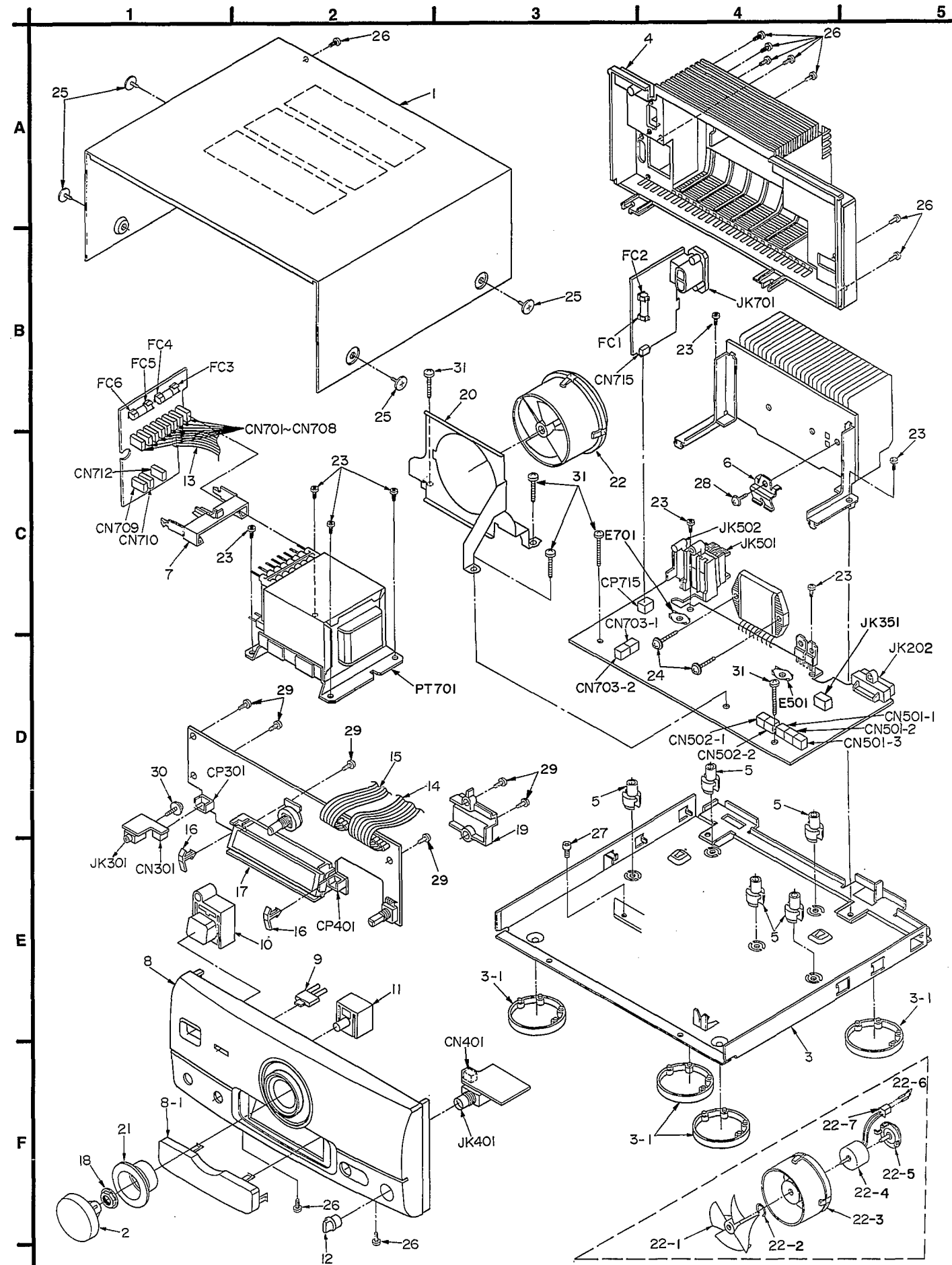
Ref. No.	Part No.	Part Name & Description	Remarks
CN301	RJU057W004	SOCKET(4P)	
CN401	RJU057W004	SOCKET(4P)	
CN701-710	RJS1A1101T1	SOCKET(1P)	
CN712	RJS1A1101T1	SOCKET(1P)	
CN715	RJU057W004	SOCKET(4P)	
CN501-1-3	RJS1A6604	SOCKET(4P)	
CN502-1, 2	RJS1A6604	SOCKET(4P)	
CN703-1, 2	RJS1A6604	SOCKET(4P)	
CP301	RJT057W004-1	CONNECTOR(4P)	
CP401	RJT057W004-1	CONNECTOR(4P)	
CP715	RJT057W004-1	CONNECTOR(4P)	
		EARTH TERMINAL(S)	
E501	SNE1004-1	GND PLATE	
E701	SNE1004-1	GND PLATE	
		FUSE HOLDER(S)	
FC1-6	EYF52BC	FUSE HOLDER	
		TRANSFORMER	
PT701	RTP2M5B003	POWER TRANSFORMER	Δ
		RELAY	
RL701	RSY0013M-0	RELAY	Δ
		JACK(S)	
JK202	RJT065W15	CONNECTOR(15P)	
JK301	RJJ37TN01-C	HEADPHONES JACK	
JK351	SJT3213	CONNECTOR(2P)	
JK401	RJJ65MA01	MIC JACK	
JK501	RJR0054M	SPEAKER TERMINAL	
JK502	SJF3068-6N	SPEAKER TERMINAL(SURROUND)	
JK701	SJS9236	AC INLET	(E)(EG)
JK701	SJSD16	AC INLET	(EB)

Ref. No.	Part No.	Values & Remarks
		RESISTORS
R159	ERDS2TJ100	1/4W 10
R217, 218	ERDS2TJ102	1/4W 1K
R223, 224	ERDS2TJ122	1/4W 1.2K
R251	ERDS2TJ222	1/4W 2.2K
R253, 254	ERDS2EJ121	1/4W 120
R255	ERDS2TJ154	1/4W 150K
R256	ERDS2TJ105T	1/4W 1M
R259	ERDS2TJ561	1/4W 560
R291, 292	ERDS2TJ104	1/4W 100K
R301, 302	ERDS2TJ223	1/4W 22K
R303, 304	ERDS2TJ333	1/4W 33K
R305, 306	ERDS2TJ223	1/4W 22K
R307, 308	ERDS2TJ102	1/4W 1K
R309-312	ERDS2EJ121	1/4W 120
R351	ERDS2TJ563	1/4W 56K
R352	ERDS2TJ184T	1/4W 180K
R353	ERDS2TJ474	1/4W 470K
R354	ERDS2TJ102	1/4W 1K
R355	ERDS2TJ103	1/4W 10K
R356	ERDS2TJ332	1/4W 3.3K
R357	ERDS1FVJ100T	1/2W 10 Δ
R358	ERDS1FVJ220T	1/2W 22 Δ
R361	ERDS2TJ474	1/4W 470K
R362	ERDS2TJ102	1/4W 1K
R371, 372	ERDS2TJ273	1/4W 27K
R373	ERDS2TJ222	1/4W 2.2K
R374	ERDS2TJ273	1/4W 27K
R375	ERDS2TJ822	1/4W 8.2K
R398	ERDS2TJ332	1/4W 3.3K
R399	ERDS2TJ154	1/4W 150K
R401	ERDS2TJ221	1/4W 220
R403	ERDS2TJ473	1/4W 47K
R404	ERDS2TJ123	1/4W 12K
R405	ERDS2TJ474	1/4W 470K
R406	ERDS2TJ102	1/4W 1K
R407	ERDS2TJ104	1/4W 100K
R408	ERDS2TJ473	1/4W 47K
R409	ERDS2TJ332	1/4W 3.3K
R410	ERDS2TJ102	1/4W 1K
R411	ERDS2TJ562	1/4W 5.6K
R412	ERDS2TJ102	1/4W 1K
R420	ERDS2TJ104	1/4W 100K
R501, 502	ERDS2TJ102	1/4W 1K
R503-506	ERDS2TJ563	1/4W 56K
R507-510	ERDS2TJ102	1/4W 1K
R511	ERDS2TJ334	1/4W 330K

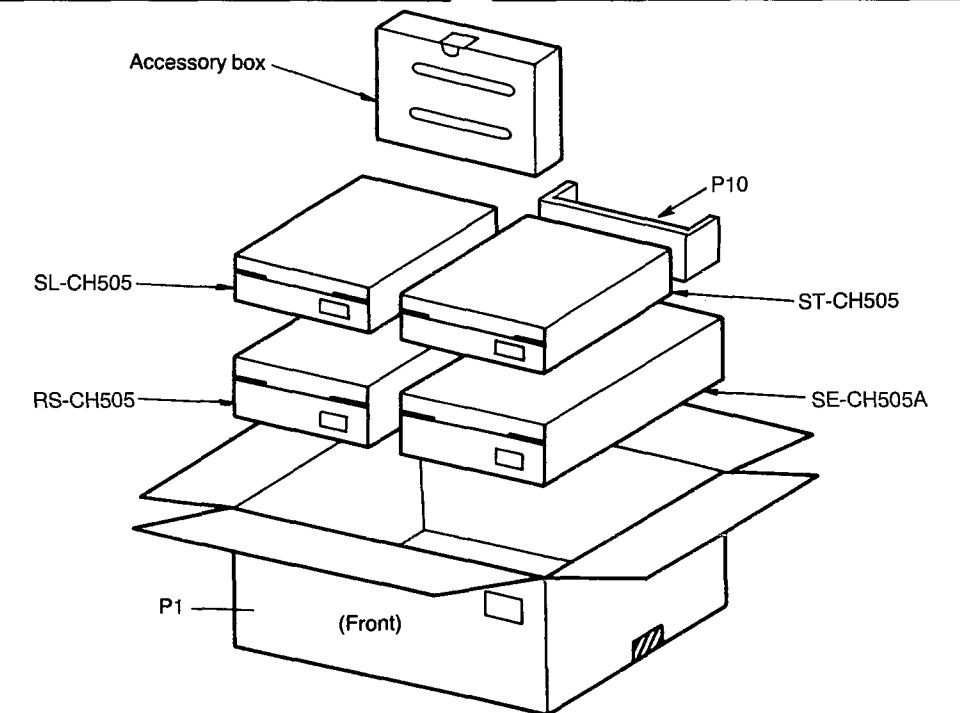
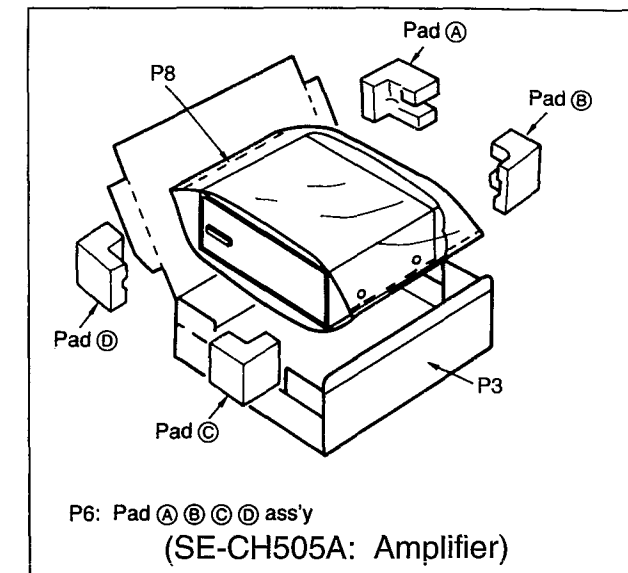
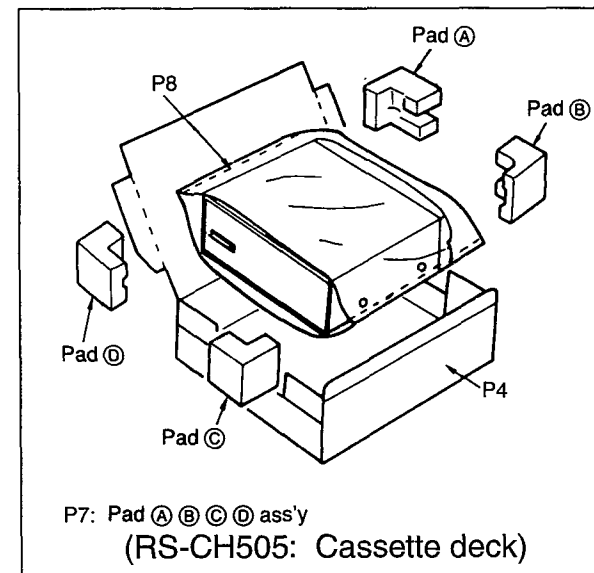
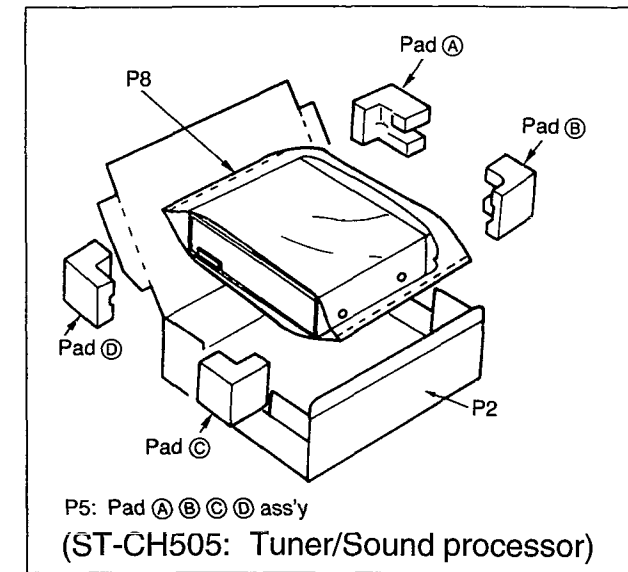
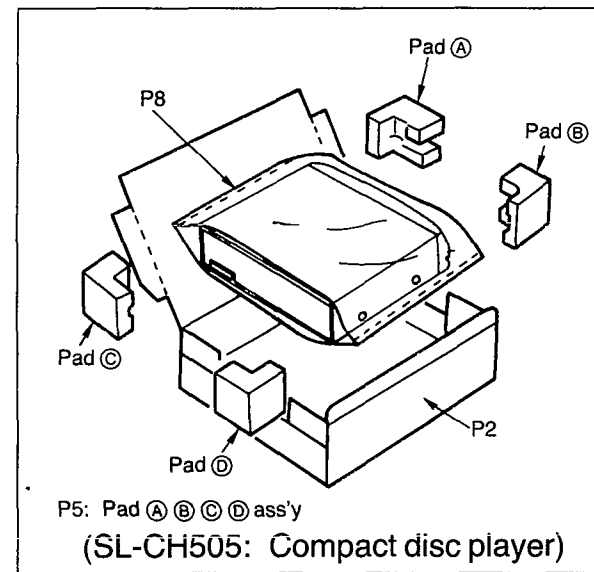
Ref. No.	Part No.	Values & Remarks	Ref. No.	Part No.	Values & Remarks	Ref. No.	Part No.	Values & Remarks
R512	ERDS2TJ154	1/4W 150K	R752	ERDS2TJ332	1/4W 3.3K	C610, 611	ECEA1CKA100B	16V 10U
R513	ERDS2TJ684	1/4W 680K	R754	ERDS2TJ1R0	1/4W 1.0	C612	ECEA1HKA3R3B	50V 3.3U
R514	ERD25FJ470	1/4W 47 Δ	R780	ERDS2TJ822	1/4W 8.2K	C613, 614	ECBT1E103ZF	25V 0.01U
R515, 516	ERDS1FVJ100T	1/2W 10 Δ	R799	ERDS2TJ103	1/4W 10K	C615, 616	ECEA1VKA330B	35V 33U
R517, 518	ERD25FVJ100T	1/4W 10 Δ				C617, 618	ECEA1CKA100B	16V 10U
R571	ERDS2TJ823T	1/4W 82K			CAPACITORS	C621, 622	ECBT1E223ZF	25V 0.022U
R572	ERDS2TJ124T	1/4W 120K	C251	ECEAOJKA221B	6.3V 220U	C632	ECEA1HKA010B	50V 1U
R573	ERDS2TJ563	1/4W 56K	C301, 302	ECEA1HKA3R3B	50V 3.3U	C641-645	ECBT1E103ZF	25V 0.01U
R574	ERDS2TJ564	1/4W 560K	C303, 304	ECBT1H150J5	50V 15P	C671, 672	ECBT1C822KS5	16V 8200P
R575	ERDS2TJ223	1/4W 22K	C305, 306	ECBT1H330J5	50V 33P	C701, 702	ECEA45V472YB	45V 4700U Δ
R591, 592	ERDS2TJ391	1/4W 390	C307, 308	ECEA1CKA220B	16V 22U	C703, 704	ECEA1CKA330B	16V 33U
R593, 594	ERDS2TJ182	1/4W 1.8K	C351	ECEA1CKA100B	16V 10U	C705, 706	ECKR1H103ZF5	50V 0.01U
R595, 596	ERDS2TJ473	1/4W 47K	C352	ECBT1E223ZF	25V 0.022U	C707	ECA1HM221B	50V 220U Δ
R597, 598	ERDS2TJ123	1/4W 12K	C353	ECEA1HKA2R2B	50V 2.2U	C708	ECEA1CKA100B	16V 10U
R602	ERDS2TJ471	1/4W 470	C361	ECEA1CM470SB	16V 47U	C709, 710	ECBT1E103ZF	25V 0.01U
R610	ERDS2TJ103	1/4W 10K	C362	ECEA1CKA100B	16V 10U	C711	ECQE1104KF3	100V 0.1U
R611, 612	ERDS2TJ333	1/4W 33K	C371	ECEAOJKA221B	6.3V 220U	C712	ECBT1E223ZF	25V 0.022U
R613, 614	ERDS2TJ274	1/4W 270K	C381, 382	ECBT1E103ZF	25V 0.01U	C714	ECKR1H103ZF5	50V 0.01U
R615, 616	ERDS2TJ123	1/4W 12K	C395-398	ECBT1E103ZF	25V 0.01U	C731, 732	ECKT1H102KB	50V 1000P
R617, 618	ERDS2TJ273	1/4W 27K	C401	ECBT1H221KB5	50V 220P	C751	ECEA1VKA100B	35V 10U
R619, 620	ERDS2TJ223	1/4W 22K	C403	ECEA1HKA3R3B	50V 3.3U	C752	ECKR1H103ZF5	50V 0.01U
R621, 622	ERDS2TJ824	1/4W 820K	C404	ECBT1H221KB5	50V 220P	C905, 906	ECBT1H101KB5	50V 100P
R623, 624	ERDS2TJ220T	1/4W 22	C405	ECBT1H101KB5	50V 100P	C1101, 1102	ECBT1E223ZF	25V 0.022U
R625, 626	ERDS2TJ473	1/4W 47K	C406	ECEA1CKA100B	16V 10U	C1103-1106	ECBT1H102KB5	50V 1000P
R627, 628	ERDS2TJ102	1/4W 1K	C407	ECEA1HKA3R3B	50V 3.3U			
R629	ERDS2TJ472	1/4W 4.7K	C408	ECBT1H181KB5	50V 180P			
R630	ERDS2TJ222	1/4W 2.2K	C409	ECEA1HKA010B	50V 1U			
R631	ERDS2TJ105T	1/4W 1M	C410	ECBT1H221KB5	50V 220P			
R632	ERDS2TJ334	1/4W 330K	C411	ECBT1E103ZF	25V 0.01U			
R633, 634	ERDS2TJ102	1/4W 1K	C412	ECBT1E223ZF	25V 0.022U			
R635, 636	ERDS2TJ752T	1/4W 7.5K	C414	ECA1AM331B	10V 330U			
R637	ERDS2TJ104	1/4W 100K	C415	ECBT1H102KB5	50V 1000P			
R638	ERDS2TJ102	1/4W 1K	C421	ECBT1H102KB5	50V 1000P			
R639	ERDS2TJ223	1/4W 22K	C501, 502	ECA1HAP3R3B	50V 3.3U			
R640	ERDS2TJ102	1/4W 1K	C503, 504	ECBT1H331KB5	50V 330P			
R641	ERDS2TJ822	1/4W 8.2K	C505, 506	ECBT1H150J5	50V 15P			
R644-646	ERDS2TJ103	1/4W 10K	C507, 508	ECBT1C272KR5	16V 2700P			
R652	ERDS2TJ102	1/4W 1K	C509, 510	ECEA1HKA2R2B	50V 2.2U			
R654, 655	ERDS2TJ222	1/4W 2.2K	C511, 512	ECBT1H821KB5	50V 820P			
R701	ERQ16NKW2R2E	1/4W 2.2 Δ	C513	ECEA1VU470	35V 47U			
R702	ERD2FCVJ4R7T	1/4W 4.7 Δ	C514	ECA2AAP100B	100V 10U			
R703, 704	ERDS2TJ562	1/4W 5.6K	C515, 516	ECBT1H104ZF5	50V 0.1U			
R705, 706	ERG1SJ471E	1W 470 Δ	C557	ECA1VM101B	35V 100U			
R707	ERDS1FVJ820T	1/2W 82 Δ	C571	ECEAOJKA101B	6.3V 100U			
R708	ERDS2TJ472	1/4W 4.7K	C572	ECBT1E223ZF	25V 0.022U			
R709	ERG1SJ391E	1W 390 Δ	C591, 592	ECEA1HKA010B	50V 1U			
R711	ERG1SJ331E	1W 330 Δ	C593, 594	ECQV1H104JM3	50V 0.1U			
R713	ERDS2TJ688	1/4W 6.8	C599	ECBT1C103MS5	16V 0.01U			
R714	ERDS2TJ153	1/4W 15K	C601-606	ECEA1CKA100B	16V 10U			
R716	ERDS2TJ393	1/4W 39K	C607	ECEAOJU102	6.3V 1000U			
R717	ERDS2TJ473	1/4W 47K	C609	ECBT1E103ZF	25V 0.01U			
R751	ERDS2TJ392T	1/4W 3.9K						

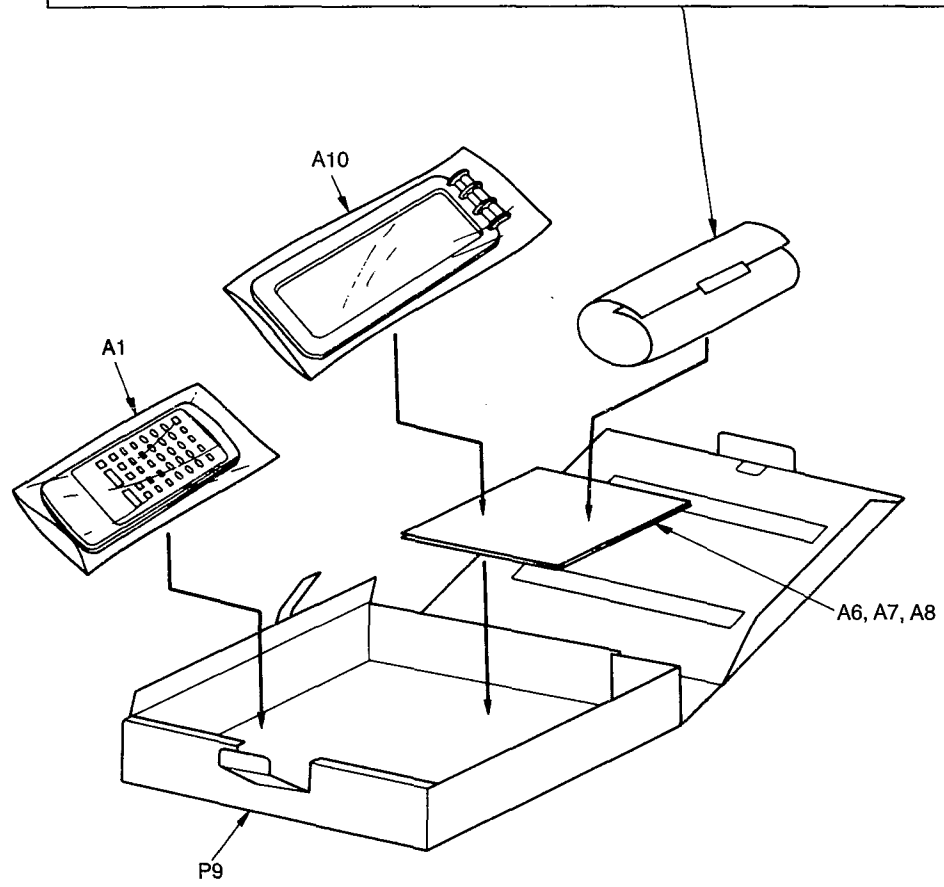
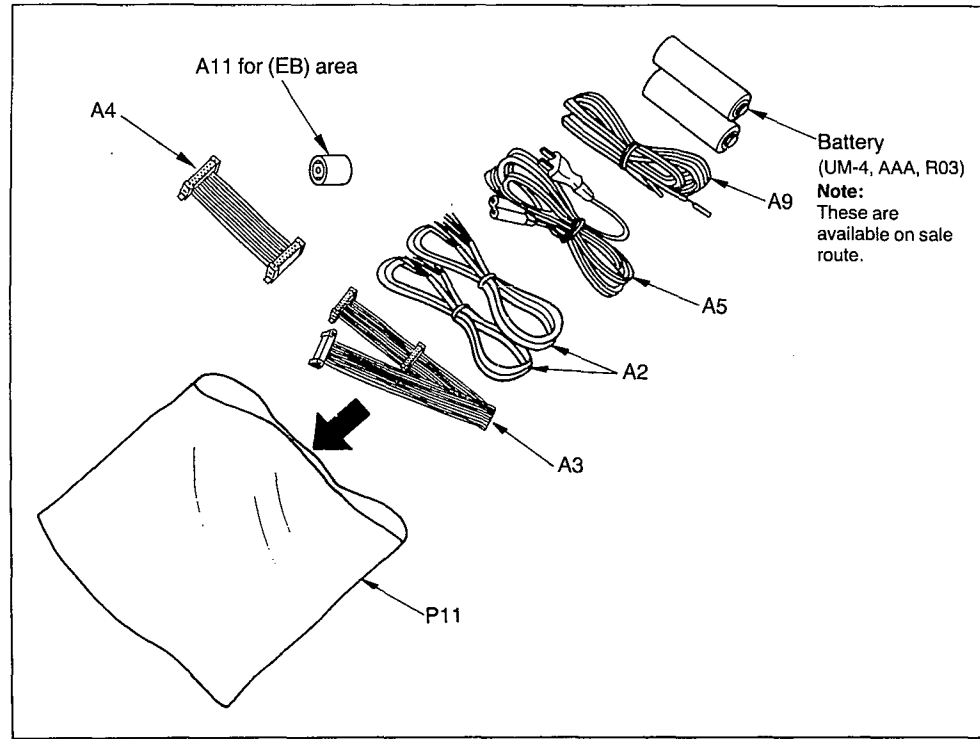
Ref. No.	Part No.	Part Name & Description	Remarks	Ref. No.	Part No.	Part Name & Description	Remarks
		CABINET PARTS		P4	RPG1313	PACKING CASE (DECK)	
				P5	RPN0719	PAD (CD/TUNER)	
				P6	RPN0720	PAD (AMPLIFIER)	
1	RKMO202B-1K	CABINET		P7	RPN0721	PAD (DECK)	
2	RGWO183-K	KNOB, MAIN VOLUME		P8	XZB45X50A01Z	PROTECTION COVER	
3	RFKJECH404EK	BOTTOM BOARD ASS' Y		P9	RPQF0047	ACCESSORIES BOX	
3-1	RKA0011A-2	FOOT		P10	RPQ0244	SPACER	
4	RFKHECH505AE	REAR GRILL ASS' Y	(E)	P11	XZB22X20C03	PROTECTION COVER	
4	RFKHECH505EB	REAR GRILL ASS' Y	(EB)			ACCESSORIES	
4	RFKHECH505EG	REAR GRILL ASS' Y	(EG)				
5	RKQ0089	P. C. B. SPACER		A1	RAK-CHI01WH	REMOTE CONTROL TRANSMITTER	
6	RMCO158	TRANSISTOR HOLDER		A1-1	RKK0057-K	BATTERY COVER	
7	RMNO191	HOLDER		A2	REE0393	SPEAKER CORD	
8	RFKGECH505AE	FRONT PANEL ASS' Y		A3	REX0511	FLAT CABLE (15P) (LONG TYPE)	
8-1	RKWO302-V	FL. PANEL		A4	REX0512	FLAT CABLE (15P) (SHORT TYPE)	
9	RGL0220-Q	PANEL LIGHT		A5	RJADD19-2K	AC POWER SUPPLY CORD	△ (E) (EG) (SF)
10	RGU0939-K	BUTTON, POWER		A5	VJA0733	AC POWER SUPPLY CORD	△ (EB) (SF)
11	RGU0940-K	BUTTON, RANGE		A6	RFKSECH505AE	INSTRUCTIONS MANUAL	(E)
12	RGWO178-K	KNOB, MIC VOLUME		A6	RQT2112-B	INSTRUCTIONS MANUAL	(EB)
13	REZO606	FLAT CABLE (8P) (W703)		A6	RQT2114-E	INSTRUCTIONS MANUAL	(EG)
14	RWJ1812220QC	FLAT CABLE (12P) (W501)		A7	RQA0013	WARRANTY CARD	(E) (EG)
15	RWJ1808220XX	FLAT CABLE (8P) (W502)		A8	RQCBO169	SERVICE CENTER LIST	
16	RMNO195	FL. SPACER		A9	RSA0007	FM INDOOR ANTENNA	
17	RMNO237	FL. HOLDER (SHG01)		A10	RSA0010	AM LOOP ANTENNA	
18	SNE4021-1	NUT		A10-1	RMNO244	ANTENNA HOLDER	
19	RMNO236	MIC JACK P. C. B. HOLDER		A10-2	XTN3+12AFZ	SCREW	
20	RMNO215	FAN ANGLE		A11	SJP9009	ATTACHMENT PLUG	△ (EB)
21	RGK0593-S	ORNAMENT RING					
22	SYE1128-4	FAN ASS' Y					
22-1	SHE232	FAN					
22-2	SUS271	SPRING					
22-3	SHE233-1	FAN CASE					
22-4	MDN-4RB4MRC	MOTOR					
22-5	SHE234	CAP					
22-6	SJT783	TERMINAL					
22-7	SJS5215	CONNECTOR (2P)					
23	XTB3+8JFZ	SCREW					
24	XTW3+15T	SCREW					
25	RHD30007	SCREW					
26	XTBS3+8JFZ1	SCREW					
27	RHD30032	SCREW					
28	XTW3+8T	SCREW					
29	XTBS26+8J	SCREW					
30	XTWS3+10T	SCREW					
31	XTB3+20JFZ	SCREW					
		PACKING MATERIALS					
P1	RPG1766	PACKING CASE (SYSTEM)	(E) (EG)				
P1	RPG1767	PACKING CASE (SYSTEM)	(EB)				
P2	RPG1314	PACKING CASE (CD/TUNER)					
P3	RPG1312	PACKING CASE (AMPLIFIER)					

■ Cabinet Parts Location



■ Packaging





935